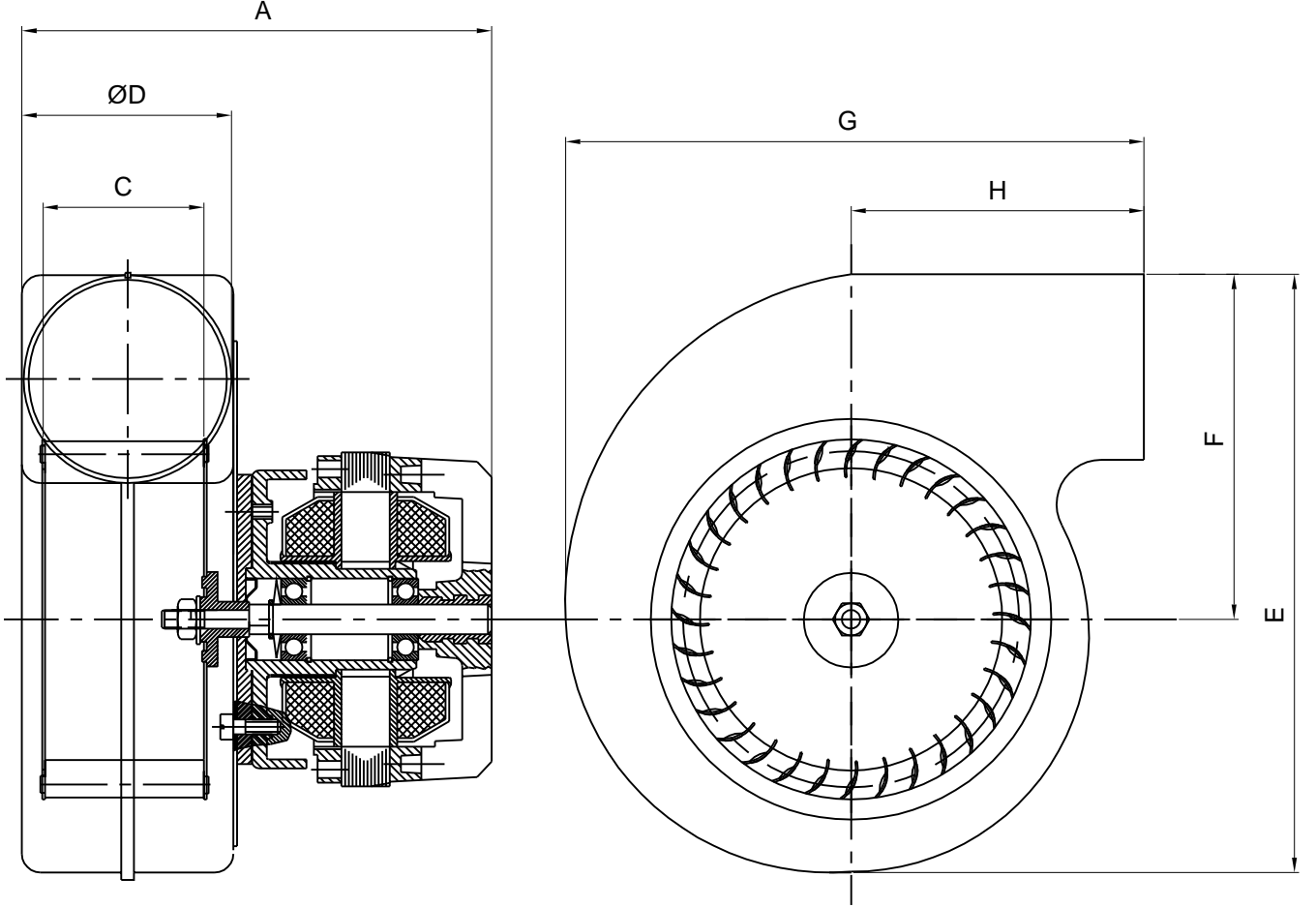


# GAMSAN

HERMETİK KOMBİLER İÇİN YÜKSEK  
SICAKLIKTAKI ÇALISAN RADYAL ASPİRATÖRLER  
RADIAL BLOWERS FOR HIGH TEMPERATURE

- İzolasyon sınıfı: H / Insulation class: H
- Azami işletme hava sıcaklığı 250 C°  
Max ambient air stream temperature 250 C°



ÖLÇÜLER DIMENSIONS	A	C	ØD	E	F	G	H
HKFA 2C-097-20-03-02-00*	103	42	56	161	87	172	90
**HKFA 2C-108-13-02-04-00*	111	42	56	161	87	172	90
HKFA 2C-108-13-02-05-00*	111	42	60	177	101	184	95
HKFA 2C-120-18-05-01-00*	116	38	60	177	101	184	95

\*\* ALUMINYUM SAÇ VEYA DÖKÜM GÖVDE OLABİLİR. / ALUMINIUM SHEET OR DIE-CAST ALUMINIUM HOUSING.

Tip Type	Gerilim Voltage Un(V)	Frekans Frequency Hz	Debi Air volume m <sup>3</sup> /saat	Nominal devir Ratedspeed D/dak min <sup>-1</sup>	Giris gücü Power Input W <sub>1</sub>	Nominal akım Ratedcurrent In(A)	Kondensatör Capacitor µf/V	Azami basınc Max. pressure increase Pa
HKFA 2C-097-20-03-02-00*	230	50	116	2100	40	0.19	1,5/400	215
HKFA 2C-108-13-02-04-00*	230	50	145	2400	52	0.23	1,5/400	305
HKFA 2C-108-13-02-05-00*	230	50	133	1860	52	0.23	1,5/400	312
HKFA 2C-120-18-05-01-00*	230	50	170	2100	70	0.35	2/400	420

Standart imalatta motora saft yönünden bakıldığında sağ dönüşlüdür.  
Standart ventilation side: right, as seen from shaft side